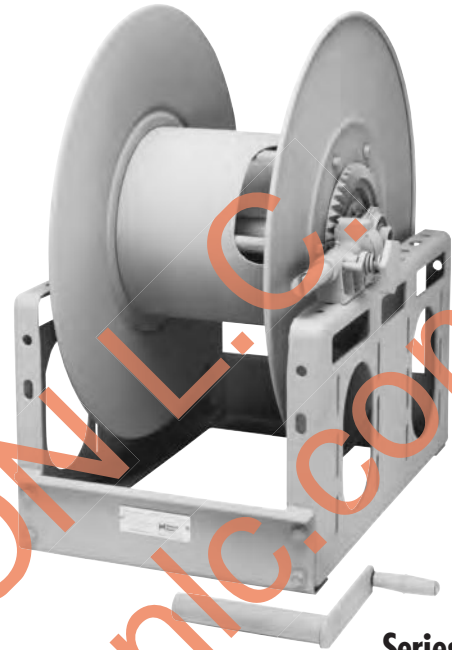




MANUAL AND POWER REWIND REELS

For storage only. No live connections.

- Heavy-duty reels.
- 4-1/2" x 4-1/2" (114.3 mm x 114.3 mm) opening in the drum.
- Many optional configurations available.
- Gear driven crank rewind; or chain and sprocket drive powered by electric, compressed air, or hydraulic motor.
- Auxiliary crank rewind is available on power reels.
- Crank rewind reels supplied with pinion brake.
- Power rewind standard with a comet brake.
- Consult factory for other brakes and locking devices.
- Rollers and roller mounting brackets are accessory items. Specify roller position.
- Divider discs available. Specify spacing.
- Drum diameters other than the standard are available.
- Note: larger drum diameter reduces reel capacity.



Series C
Standard
Configuration
Shown



For decades electrical utilities all across America have relied on rugged Hannay cable storage reels to protect high-voltage cable from damage.



Hannay Spring Powered Reels have the reliability you can count on. See page 8.



Parts Drawing – ISO 71

Model Number For Power Rewind See Note 5	Cable Capacity of Reel feet m.			Approx. Weight Crank Rewind lb. kg.		Reel Dimensions*** inches mm.									
	O.D. (in) O.D. (mm)	3/4" 19	1" 25	NET	SHIP	A	B	D	E	F CRANK	F POWER	G	H	X	Y
C20-19-21		250 76	150 46	66 30	101 46	17 432	11.5 292	20.5 521	18.75 476	20 508	24.5 622	21.5 546	12.12 308	9 229	16.75 425
C26-19-21		350 107	200 61	78 35	113 51	23 584	17.5 445	20.5 521	18.75 476	26 660	30.5 775	21.5 546	12.12 308	15 381	16.75 425
C20-23-24		-	250 76	73 33	108 49	17 432	11.5 292	20.5 521	22.75 578	20 508	24.5 622	23.5 597	12.12 308	9 229	16.75 425
C28-23-24		-	475 145	89 40	124 56	25.5 648	20 508	20.5 521	22.75 578	28.5 724	33 838	23.5 597	12.12 308	17.5 445	16.75 425
C20-25-26		-	325 99	86 39	121 55	17 432	11.5 292	25.5 648	24.75 629	20 508	24.5 622	27.88 708	15.5 394	9 229	21.75 552
C24-25-26		-	450 137	94 943	129 59	21 533	15.5 394	25.5 648	24.75 629	24 610	28.5 724	27.88 708	15.5 394	13 330	21.75 552
C18-30-31		-	375 114	90 41	125 57	15 381	9.5 241	25.5 648	28.75 730	18 457	22.5 572	29.88 759	15.5 394	7 178	21.75 552

Notes:

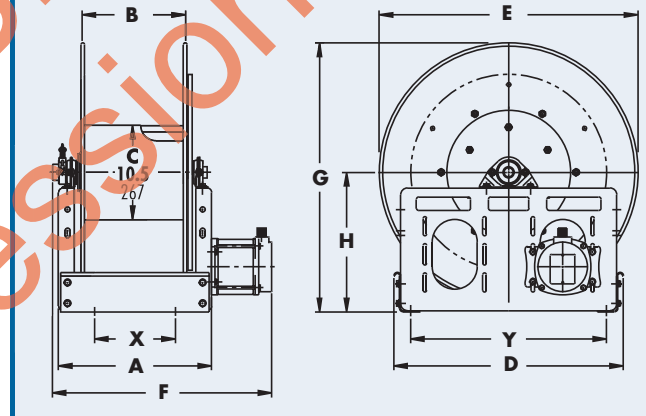
- Specifications subject to change.
- Upon request, reels can be supplied with drum lengths other than shown and with disc sizes in other diameters.
- Dimensions reflect pressed frames.
- Weights shown in chart are for crank rewind models. Add these amounts for power rewind models.

	Net (lbs.)/kg	Ship (lbs.)/kg
Electric	40/18.1	40/18.1
Hydraulic	20/9.1	20/9.1
Air	20/9.1	20/9.1

- When ordering power rewind models, prefix model number with:
A = Air Rewind E = Electric Rewind HD = Hydraulic Rewind
(Air rewind reels are supplied with control valve and 18" air hose;
12v and 24v DC rewind reels are supplied with switch and solenoid, 115v AC
rewind reels are not supplied with switch but can be ordered separately;
hydraulic rewind reels are not supplied with control valve.)

6. Be sure to check dimensions and weights prior to ordering.

***x,y indicate mounting holes



MULTI PRESS
www.multi-press.com