



# MANUAL AND POWER REWIND REELS

## To handle live electric cable.

- 3-conductor 45 amp 600 volt collector assembly with #8 gauge wiring.
- Double brushes per circuit. Brushes are copper graphite, copper alloy rings.
- Additional conductors or higher amperage (up to 100 amps) are available at extra cost, must be specified. (300 amps possible with custom design).
- Silver collector assemblies are available.
- Rollers and roller mounting brackets are accessory items. Specify roller position.

### Series CR1600

- Removable direct crank rewind.
- Adjustable Cam-lock drag brake.

### Series ECR1600\*

- Optional drag brake is available.
- Some roller options may prohibit the use of our molded chain guard.

### Series CR6600

- Gear-driven crank rewind.

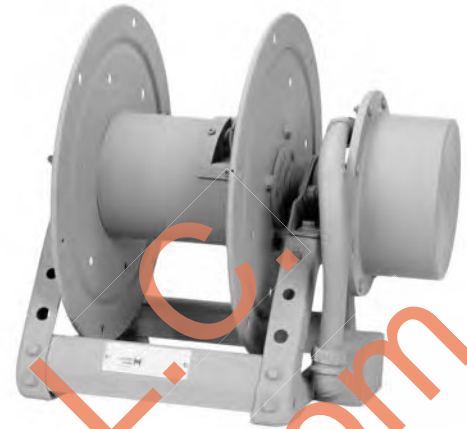
### Series ECR6600

- Chain and sprocket drive powered by electric, compressed air, or hydraulic motor.
- Auxiliary rewind and pinion brake standard.
- Consult factory for other brakes.
- Optional chain guards are available upon request..



**Optional External Mounting Brackets**

Part No. 9906.0025  
Available for CR1600 & ECR1600 Models



**Series CR1600 (Manual Rewind)**  
Left Top Shown (Standard Configuration is Right Top)

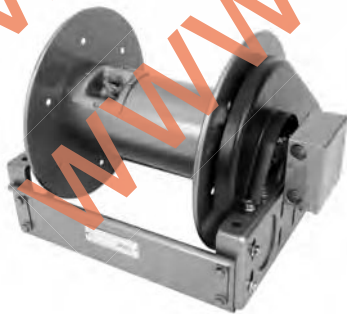


**Series ECR1600 (Power Rewind)**  
Standard Configuration shown



**Series ECR6600 (Power Rewind)**  
Optional Left Top Configuration shown

\* For CR reels with minimized height or depth requirements refer to our Rescue Reels catalog H0503-R



ELFCR1600 shown

Choose an ELFCR Model when Height of reel must be minimized



ESFCR1600 shown

Choose an ESFCR Model when Depth of reel must be minimized



Parts Drawing: Series CR1600 – ISO 76, Series CR6600 – ISO 45

Model Number	Cable Capacity of Reel feet m.						Approx. Weight Crank Rewind lb. kg.		Reel Dimensions*** inches mm.												
	GA./NO. OF CONDUCTORS						NET	SHIP	A	B	C	D	E CRANK	E PWR.	F CRANK	F PWR.	G	H	X	Y	
	14/3	12/3	10/3	8/3	12/4	10/4															
	O.D. (in)	.530	.600	.690	.750	.670	.750														
	O.D. (mm)	14	15	18	19	17	19														
CR1614-17-18		225 69	175 53	100 30	–	100 30	100 30	30 14	68* 31	11 279	6 152	6 152	14.5 366	16.5 419	19 483	21.75 552	17.5 445	18.12 460	9.88 251	9.5 241	10 254
CR1616-17-18		300 91	200 61	150 46	–	150 46	150 46	32 15	68* 31	13 330	8 203	6 152	14.5 368	16.5 419	19 483	23.75 603	19.5 495	18.12 460	9.88 251	11.5 292	10 254
CR1618-17-18		350 107	275 84	200 61	–	200 61	200 61	33 15	80* 36	15 381	10 254	6 152	14.5 368	16.5 419	19 483	25.75 654	21.5 546	18.12 460	9.88 251	13.5 343	10 254
CR1620-17-18		450 137	350 107	250 76	–	250 76	225 69	34 15	80* 36	17 432	12 305	6 152	14.5 368	16.5 419	19 483	27.75 705	23.5 597	18.12 460	9.88 251	15.5 394	10 254
CR6614-19-20		200 61	150 46	100 30	–	–	–	113 51	148 67	11 279	5.5 140	10.5 267	20.5 521	22 559	22 559	16 406	16 406	21.5 546	12.12 308	5.75 146	16.75 425
CR6614-23-24		–	300 91	225 69	175 53	–	–	120 54	155 70	11 279	5.5 140	10.5 267	20.5 521	23 584	16 406	16 406	23.5 597	16 406	12.12 308	5.75 146	16.75 425
CR6614-25-26		–	350 107	250 76	200 61	–	–	133 60	168 76	11 279	5.5 140	10.5 267	25.5 646	24.75 629	16 406	16 406	27.88 708	15.5 394	5.75 146	21.75 552	

Notes:

- Specifications subject to change.
- Upon request, reels can be supplied with drum lengths other than shown and with disc sizes in other diameters.
- Dimensions reflect pressed frames.
- Weights shown in chart are for crank rewind models. Add these amounts for power rewind models.

Series CR1600	<b>Net (lbs.)/kg</b>	<b>Ship (lbs.)/kg</b>
Electric	18/8.2	18/8.2
Hydraulic	15/6.8	15/6.8
Air	15/6.8	15/6.8
Series CR6600	<b>Net (lbs.)/kg</b>	<b>Ship (lbs.)/kg</b>
Electric 1/3HP	18/8.2	18/8.2
Hydraulic	20/9.1	20/9.1
Air	20/9.1	20/9.1

- When ordering power rewind models, prefix model number with:  
A = Air Rewind    E = Electric Rewind (Series CR1600 & CR6600)  
EP = Electric Rewind (Series CR6600)    HD = Hydraulic Rewind  
(Air rewind reels are supplied with control valve and 1/8" air hose; 12v and 24v DC rewind reels are supplied with switch and solenoid; 115v AC rewind reels are not supplied with switch but can be ordered separately; hydraulic rewind reels are not supplied with control valve.)
- Add 2-1/8" to "A" dimension when using external mounting brackets on CR1600, ECR1600 series reels.
- When ordering reels with a 4-conductor, add 2" to F dimensions.

8. Be sure to check dimensions and weights prior to ordering.

\* Dimensional weight applies when shipped as a parcel package (via FedEx or UPS ground).

\*\*\*x,y indicate mounting holes

