

# SCR700/NSCR700

## SPRING REWIND REELS

### To handle live electric cable.

- Heavy-duty spring motor.
- Non sparking ratchet.
- Declutching arbor.
- Consult factory for constant tension applications.
- 3-conductor 45 amp 600 volt collector assembly with #8 gauge wiring.
- Double brushes per circuit. Brushes are copper graphite with copper alloy rings.
- Additional conductors or higher amperage (up to 300 amps) available, consult factory.
- Silver collector available.
- Supplied with a 4-way roller assembly. Roller position must be specified.
- A cable stop should be used.
- For vertical lift, stretch and/or crane installation, consult factory for proper spring specifications.



**Series SCR700**  
Standard Configuration shown



**Series NSCR700**  
Standard Configuration shown

# SCR700/NSCR700

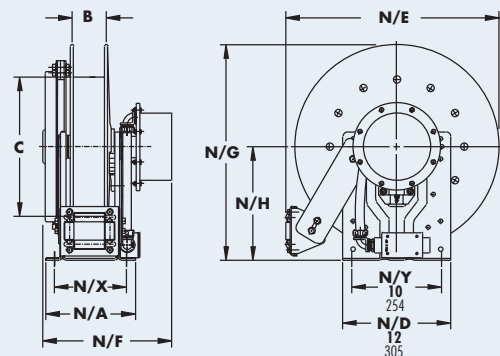
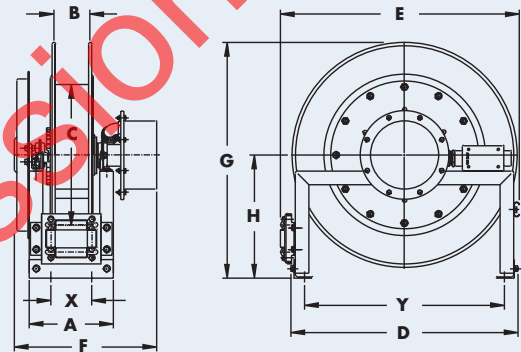
Parts Drawing: Series SCR700 – ISO 49, Series NSCR700 – ISO 164

Model Number	Cable Capacity of Reel feet m.					Approx. Weight lb. kg.		Roller Assembly	Reel Dimensions*** inches mm.															
	GA./NO. OF CONDUCTORS					NET	SHIP		A	N/A	B	C	D	E	N/E	F	N/F	G	N/G	H	N/H	X	N/X	Y
	14/3	12/3	10/3	8/3																				
NSCR715-14-16C	35	25	-	-	-	59	74	N203	-	9	3	8	-	-	17.62	-	13.75	-	16.12	-	9.12	-	7	-
	11	8	-	-	-	27	34		-	229	76	203	-	-	448	-	349	-	409	-	232	-	178	-
NSCR715-16-17C	40	35	-	-	-	62	77	N203	-	9	3	10.5	-	-	18.5	-	13.75	-	17	-	9.12	-	7	-
	12	11	-	-	-	28	35		-	229	76	267	-	-	470	-	349	-	432	-	232	-	178	-
NSCR715-19-20J	50	50	50	50	50	74	109	N204	8.25	9	3	10.5	18	19.5	20.75	15.25	13.75	19.75	20	10.38	10.62	3.5	7	15
	15	15	15	15	15	34	49		210	229	76	267	457	495	527	387	349	502	508	264	270	89	178	381
NSCR716-23-24B	75	75	75	75	75	99	134	N204	9.25	10	4	15.5	23.25	24.38	23.75	16.25	14.75	23.88	24	12.5	12.62	4.5	8	20.25
	23	23	23	23	23	45	61		235	254	102	394	591	619	603	413	375	607	610	318	321	114	203	514
NSCR716-23-24G	100	100	-	-	-	105	140	N204	9.25	10	4	15.5	23.25	24.38	23.75	16.25	14.75	23.88	24	12.5	12.62	4.5	8	20.25
	30	30	-	-	-	48	64		235	254	102	394	591	619	603	413	375	607	610	318	321	114	203	514
SCR716-30-31-20A	120	120	120	120	120	127	162	R204	9.25	-	4	20	28.5	29.62	-	17	-	31.38	-	17	-	4.5	-	25.25
	37	37	37	37	37	58	73		235	-	102	508	724	752	-	432	-	797	-	432	-	114	-	641

**Notes:**

1. Specifications subject to change.
2. For reels with 4-conductor 45 amp collector assemblies, add 2" to "F" dimension.
3. Reel models and capacities shown are for standard drag applications; for vertical lift applications consult factory.
4. Other sizes from standard components, available upon request.
5. Be sure to check dimensions and weights prior to ordering.
6. Roller assembly is supplied on standard models.

\*\*\*x,y indicate mounting holes



**Roller Positions Available**

