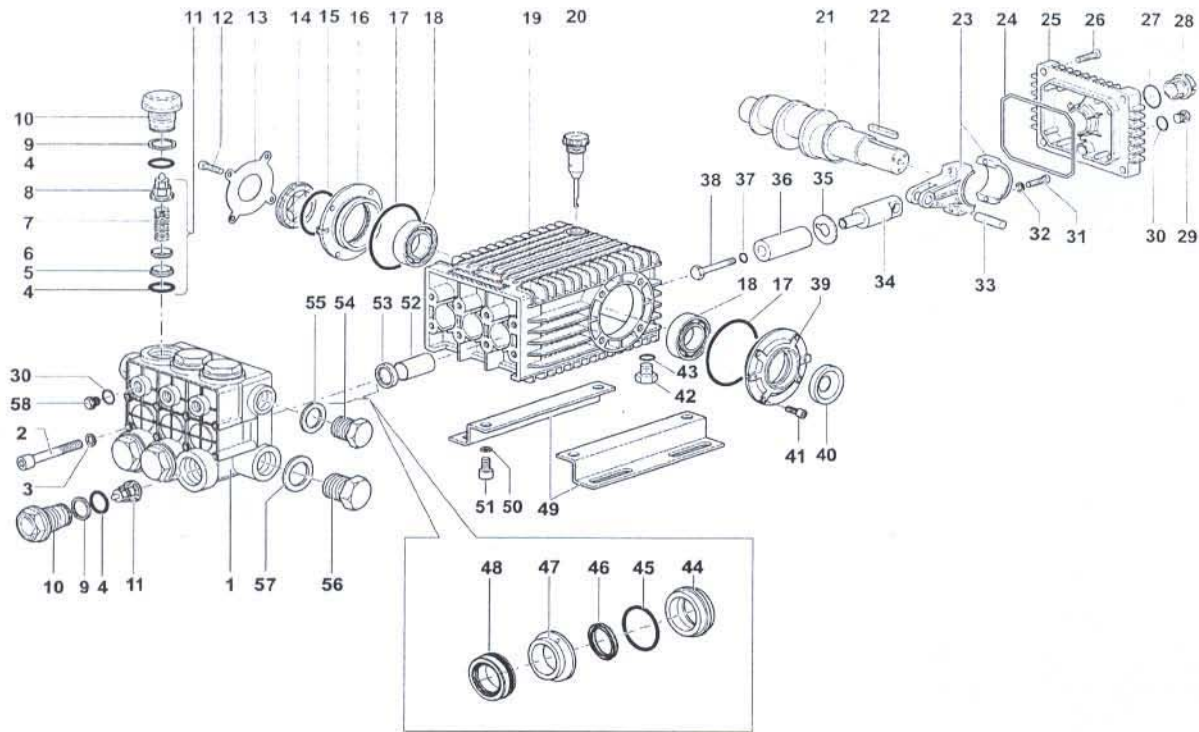


HT66 Series HT6628 - HT6639 - HT6646



PARTS LIST

ITEM	PART NO.	DESCRIPTION	KIT	QTY.	ITEM	PART NO.	DESCRIPTION	KIT	QTY.	ITEM	PART NO.	DESCRIPTION	KIT	QTY.
1.	66120641	Manifold 20mm		1	22.	91489200	Key		1	44.	66081270	Seal Retainer 20mm	RK1207	3
	66120741	Manifold 22mm		1	23.	66030001	Connecting Rod		3		66081370	Seal Retainer 22mm	RK1209	3
	66120841	Manifold 24mm		1	24.	90392200	O-ring		1		66081470	Seal Retainer 24mm	RK1211	3
2.	99380100	Headbolt M10 x 90		8	25.	66160022	Cover, Crankcase		1	45.	90361600	O-ring	RK1207,209,211	3
3.	96710400	Washer M10		8	26.	99188400	Screw M6 x 20		4	46.	90225800	LP Seal 20mm	RK1206,207	3
4.	90385700	O-ring	RK1169	12	27.	90405100	O-ring		1		90230000	LP Seal 22mm	RK1208,209	3
5.	36203366	Valve Seat	RK1169	6	28.	63210051	Sightglass, Bayonet style		1		90235000	LP Seal 24mm	RK1210,211	3
6.	36203476	Valve Poppet	RK1169	6	29.	98204100	Plug 1/4 x 9		1	47.	66216070	Intermediate Ring 20mm	RK1207	3
7.	94738800	Valve Spring	RK1169	6	30.	99358500	O-ring		1		66216170	Intermediate Ring 22mm	RK1209	3
8.	36203551	Valve Guide	RK1169	6	31.	99309900	Screw M8 x 35		6		66216470	Intermediate Ring 24mm	RK1211	3
9.	90516500	Anti-ext ring		6	32.	96701400	Locking Washer M8		6	48.	90226000	HP Seal 20mm	RK1206,207	3
10.	66130041	Valve Cap		6	33.	97740500	Wrist Pin		3		90231200	HP Seal 22mm	RK1208,209	3
11.	36712701	Valve Assy., Complete	RK1169	6	34.	66050064	Piston Guide		3		90236000	HP Seal 24mm	RK1210,211	3
12.	99306900	Screw M8 x 25		4	35.	96710100	Flinger Washer		3	49.	47200074	Pump Rail		2
13.	66150274	Cover		1	36.	66040009	Plunger 20mm		3	50.	96710600	Washer M10		4
14.	44211801	Sightglass		1		66040109	Plunger 22mm		3	51.	99364400	Screw M10 x 18		4
15.	90409700	O-ring		1		66040409	Plunger 22mm		3	52.	90912600	Guide Bushing		3
16.	66150122	Side Cover		1	37.	90358400	O-ring		3	53.	90162500	Seal, Plunger Rod	RK1002	3
17.	90391300	O-ring		2	38.	66219566	Plunger Bolt		3	54.	98209900	Plug 3/8" x 13 Nickel		1
18.	91838000	Bearing		2	39.	66150022	Side Cover, PTO		1	55.	96738000	Gasket, Aluminum 3/8"		1
19.	66010022	Crankcase		1	40.	90164800	Seal, Shaft	K03	1	56.	98226900	Plug 3/4" x 16 Nickel		1
20.	98210600	Dipstick, vented		1	41.	99303900	Screw M8 x 16		4	57.	96770000	O-ring		3
21.	66020435	Crankshaft HT6639 HT6646		1	42.	98210000	Plug 3/8 x 13		2	58.	98204700	Plug 1/4" x 16 Nickel		3
	66020035	Crankshaft HT6628		1	43.	90383300	O-ring		1					

Repair Kits

KIT N.	Punger Ø 20			Punger Ø 22		Punger Ø 24	
	RKI 002	RKI 003	RKI 169	RKI 206	RKI 207	RKI 208	RKI 209
Positions Included	53	40	4-5-6 7-8 (11)	46 - 48	44 - 45 - 46 47 - 48	46 - 48	44 - 45 - 46 47 - 48
N. pcs.	3	2	6	3	1	3	1

TORQUE SPECS*

Pos.	N-M	Ft.-lbs.
2	45	33.2
10	130	95.9
12	20	14.8
26	10	7.4
29	20	14.8
31	20	14.8
38**	20	14.8
41	20	14.8
42	40	29.5
51	40	29.5
56	70	51.6
58	40	29.5

**Use Loctite #242