

DIS. COD. 51.9557.00

PISTON - PISTONE Ø15			PISTON - PISTONE Ø18					
MODEL - MODELLO: W1507-WW1508-WW1509-WW1510 WW1511-WW1513-T1508-TT1508 TT1510-TT1511-TT1512-TT1513			MODEL - MODELLO: W1208-W1210 T1209-T1212					
KIT N.	KIT 83	KIT 123	KIT 86	KIT 96	KIT 97	KIT 139	KIT 140	KIT 141
Positions Included	5	10-11 12-13	20-21 22	18-19 20-21	18-19 21-22	20-21 22	18-19 20-21	18-19 21-22
Posizioni Include		14 (17)		22			22	
N. pcs.	3	6	3	1	3	3	1	3

**STANDARD
VERSION**

**VERSIONE
STANDARD**

	W1208-W1210 W1507 WW1508-WW1509 WW1510-WW1511 WW1513		T1209-T1212 T1508 TT1508-TT1510 TT1511-TT1512 TT1513
--	---	--	---

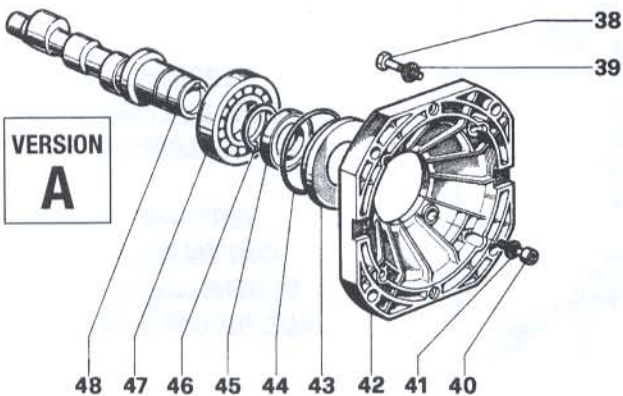
POS.	CODE CODICE	DESCRIPTION DESCRIZIONE	N. PCS.
1	51.0106.22	Carter	1
2	98.2100.00	Tappo G 3/8x13	2
3	90.3833.00	OR Ø 13,95x2,62	1
4	51.2090.51	Protezione	1
5	90.1565.00	Anello radiale	KIT 83 3
6	98.2041.00	Tappo G 1/4x9	1
7	51.1200.41	Testata OT 58 - Ø15	1
	51.1204.41	Testata OT 58 - Ø18	1
8	96.6938.00	Rosetta Ø 6,4 Schnorr	8
9	99.1943.00	Vite M 6x40 UNI 5931	8
10	90.3841.00	OR Ø 17,13x2,62	KIT 123 6
11	36.2003.66	Sede valvola	KIT 123 6
12	36.2001.76	Valvola	KIT 123 6
13	94.7376.00	Molla Ø 9,4x14,8	KIT 123 6
14	36.2025.51	Guida valvola	KIT 123 6
15	90.3847.00	OR Ø 20,24x2,62	KIT 157 6
16	98.2216.00	Tappo M 24x1,5x11,2	KIT 157 6
17	36.7115.01	Gruppo valvola	KIT 123 6
18	51.1000.51	Anello di testa Ø 15	KIT 96-97 3
	51.1001.51	Anello di testa Ø 18	KIT 140-141 3
19	90.2620.00	Anello tenuta Ø 15	KIT 96-97 3
	90.2681.00	Anello tenuta Ø 18	KIT 140-141 3
20	51.0800.70	Anello di fondo Ø 15	KIT 86-96 3
	51.0803.70	Anello di fondo Ø 18	KIT 139-140 3
21	90.3604.00	OR Ø 25,12x1,78	KIT 86-96-97-139-140-141 3
22	90.3835.00	OR Ø 15,08x2,62 - Ø 15	KIT 86-96-97 3
	90.3843.00	OR Ø 17,8x2,62 - Ø 18	KIT 139-140-141 3
23	97.5968.00	Spia livello olio G 3/4	1
24	91.8014.00	Boccola a rullini	1
25	98.2103.00	Tappo carico olio G 3/8	1
26	92.2216.00	Dado M8 - Inox	3
27	47.2115.70	Rosetta Ø 8 con collare	3

POS.	CODE CODICE	DESCRIPTION DESCRIZIONE	N. PCS.
28	51.0400.09	Pistone Ø 15	3
	51.0401.09	Pistone Ø 18 - W1208-W1210-T1209-T1212	3
29	90.3572.00	OR Ø 5,28x1,78 - Spec.	3
30	90.5022.00	Anello per OR	3
31	96.7070.00	Rosetta Ø 9	3
32	97.7310.00	Spinotto Ø 8x24,5	3
33	51.1600.22	Coperchio carter	1
34	99.1867.00	Vite M 6x18 - UNI 5931	4
35	90.3917.00	OR Ø 88,57x2,62	1
36	51.0301.22	Biella	3
37	51.0500.56	Guida pistone	3
38	91.4878.00	Linguetta	1
39	99.1807.00	Vite M 6x10 UNI 5739	4
40	50.1500.74	Coperchio carter	1
41	50.2115.51	Distanziale	1
42	90.4097.00	OR Ø 55,56x3,53	1
43	90.1634.00	Anello radiale Ø 25x42x7	1
44	90.0635.00	Anello fermo albero	1
45	91.8328.00	Cuscinetto a sfere 6305	1
	51.0224.65	Albero - TT1508	1
	51.0200.65	Albero - WW1508 - TT1510	1
	51.0206.65	Albero - WW1509 - TT1511	1
46	51.0217.65	Albero - W1208 - WW1510 - T1209 - TT1512	1
	51.0201.65	Albero - WW1511 - TT1513	1
	51.0204.65	Albero - W1210 - W1507 - WW1513 - T1210 - T1508	1

VERSION / VERSIONE A - B - C



For pumps:
W905-WW906-WW907



DIS. COD. 51.9517.00



For pumps:
T1209-1212-1508-9051 - TT9061-9071

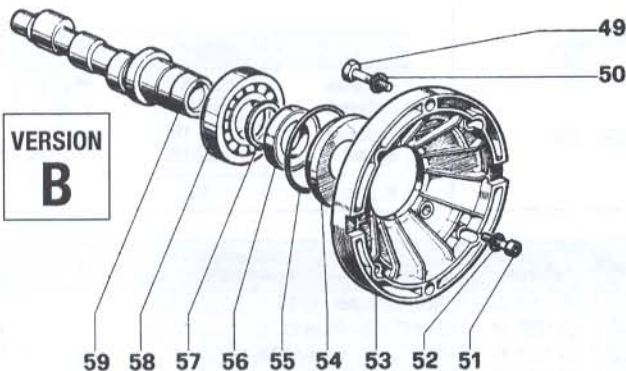
A

For electric motors (60 Hz) 56 c
Per motori elettrici (60 Hz) 56 c

POS.	CODE CODICE	DESCRIPTION DESCRIZIONE	N. PCS.
38	99.3345.00	Vite 3/8"x1"x16 UNC	4
39	96.7104.00	Rosetta Ø 10 Schnorr	4
40	99.1867.00	Vite M 6x18 UNI5931	4
41	96.6938.00	Rosetta Ø 6,4 Schnorr	4
42	10.0344.22	Flangia per Mot. Elett. 56C	1
43	50.2115.51	Distanziale	1
44	90.4097.00	OR Ø 55,56x3,53	1
45	90.1644.00	Anello radiale Ø 30x42x7	1
46	90.0667.00	Anello fermo albero	1
47	91.8373.00	Cuscinetto a sfere 6206	1
	51.0208.65	Albero WW906-TT9061	1
	51.0209.65	Albero WW907-TT9071	1
48	51.0215.65	Albero W905-T9051/1212/1508	1
	51.0225.65	Albero T1209	1



For pumps: W1208-1210-1507
WW55-56-74-75-90-93-94-95-1508-1510-1511-1513



DIS. COD. 51.9518.00



For pumps:
TT551-561-741-751-901-931-941-951

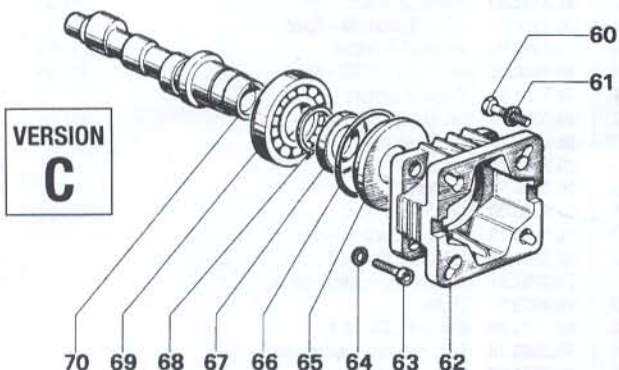
B

For electric motors (50 Hz)
Per motori elettrici (50 Hz)

POS.	CODE CODICE	DESCRIPTION DESCRIZIONE	N. PCS.
49	99.3067.00	Vite 8x25 UNI 5739	4
50	96.7014.00	Rosetta Ø 8,4 Schnorr	4
51	99.1867.00	Vite M 6x18 UNI 5931	4
52	96.6938.00	Rosetta Ø 6,4 Schnorr	4
53	10.0345.22	Flangia per Mot. Elett.	1
54	50.2115.51	Distanziale	1
55	90.4097.00	OR Ø 55,56x3,53	1
56	90.1644.00	Anello radiale Ø 30x42x7	1
57	90.0667.00	Anello fermo albero	1
58	91.8373.00	Cuscinetto a sfere 6206	1
	51.0212.65	Albero WW55/74/90/1508 - TT551/741/901	1
	51.0213.65	Albero WW56/75/93/1511 - TT561/751/931	1
	51.0214.65	Albero W1210/1507 - WW94/1513 - TT941	1
59	51.0216.65	Albero W1208 - WW95/1510 - TT951	1



For pumps:
WW906-WW907-WW909



DIS. COD. 51.9519.00



For pumps:
TT1508-1510-1511-1512-1513-9061-9071-9091

C

For gasoline engines
Per motori a scoppio

POS.	CODE CODICE	DESCRIPTION DESCRIZIONE	N. PCS.
60	99.2730.00	Vite 5/16"x3/4"x24 UNF	4
61	96.7014.00	Rosetta Ø 8,4 Schnorr	4
62	10.0346.22	Flangia per Mot. a scoppio	1
63	99.1867.00	Vite M 6x18 UNI 5931	4
64	96.6938.00	Rosetta Ø 6,4 Schnorr	4
65	50.2115.51	Distanziale	1
66	90.4097.00	OR Ø 55,56x3,53	1
67	90.1644.00	Anello radiale Ø 30x42x7	1
68	90.0667.00	Anello fermo albero	1
69	91.8373.00	Cuscinetto a sfere 6206	1
	51.0210.65	Albero WW906-TT1508/9061	1
	51.0211.65	Albero WW907-TT1511/9071	1
	51.0218.65	Albero WW909 - TT1513/9091	1
	51.0221.65	Albero TT1512	1
70	51.0223.65	Albero TT1510	1